

IFLI 250V P16

IFLI 250V, Grey, Type P16

DIMENSION DATA

DRAKA NORSK KABEL no.	Type [mm ²]	Mean Overall Diameter [mm]	Weight of cable approx. [kg/km]	Copper content approx. [kg/km]
800833	2 x 2,5/2,5	10,0 ± 0,8	180	69

ELECTRICAL DATA

No. of cores x cross section [mm ²]	Conductor resistance [Ω/km]		Continuous current rating at 45 °C	Short circuit [Ampere]	
	at 20 °C	at 90 °C		1 sec	0,3 sec
2 x 2,5/2,5	7,41	9,45	26	350	639

INSTALLATION DATA

TYPE [mm ²]	Overall Diameter [mmØ]	Minimum bending radius		Maximum pulling tension [N]
		During installation (mm)	Fixed installed (mm)	
2 x 2,5/2,5	10,0±0,8	150	40	125

Minimum installation temperature: - 10 °C

IFLI 250V P16

CABLE DRAWING: IFLI 250V

Cable type P16, NEK 606

Construction according to IEC 60092-353, IEC 60092-351 and IEC 60092-359 where applicable

Flame retardant i.a.w. IEC 60332-1

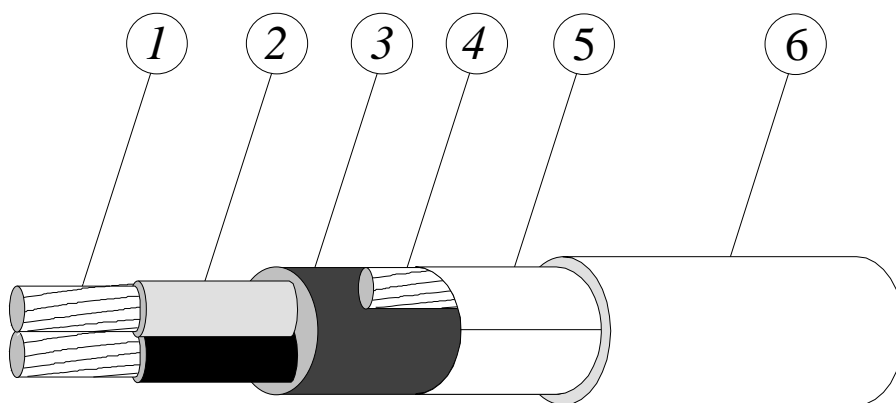
Halogen-free i.a.w. IEC 60754-1,2

Low smoke i.a.w. IEC 61034-1,2

Maximum operating temperature 90 °C

Test voltage 3,6 kV dc in 5 minutes

Flame retardant - Low smoke - Halogen free



Cable drawing for indication only

1. Conductor, Annealed stranded copper
2. Insulation, Cross linked Polyethylene (XLPE) (I)
3. Inner sheath, flame retardant halogen free thermoplastic compound (F)
4. Earth conductor, Stranded copper conductor
5. Metallic sheath, Aluminium tape (Longitudinal) (L)
6. Sheath, flame retardant halogen free thermoplastic compound, Grey color (I)

Sheath-marking: (example)

“meter” “ year” DRAKA 01 IFLI 250V P16 2x2,5/2,5 mm²

Manufacturing unit: DRAKA 01 = Draka Norsk Kabel

Core identification :

Two cores : Offwhite (Grey) - Black

www.drakaMOG.com